



IRONIN

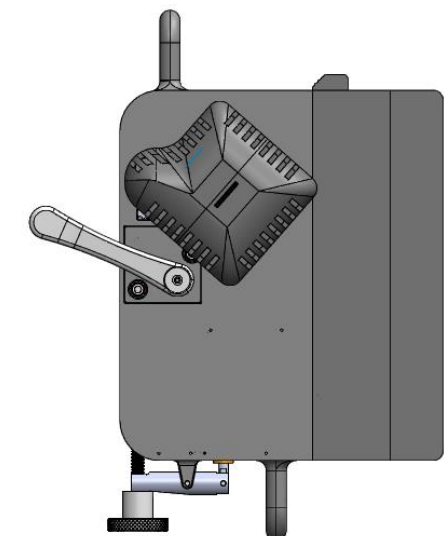
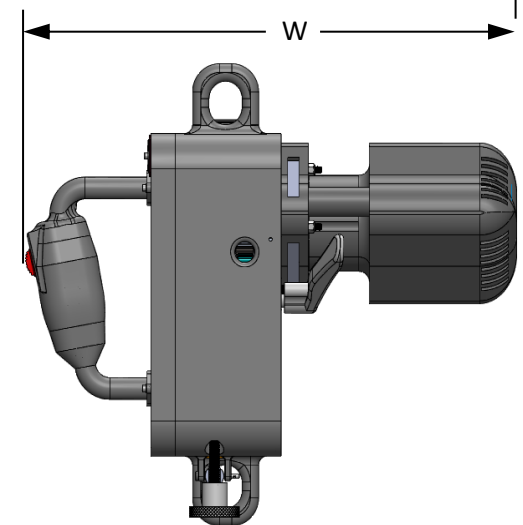
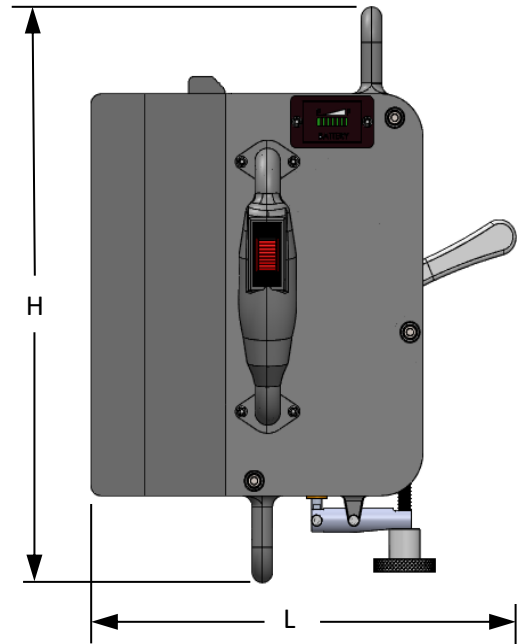
Category	Battery Powered Rope Ascender
Length (L)	11.35 inches
Width (W)	15.39 inches
Height (H)	13.35 inches
Weight	26 lbs. Max
Construction	Aluminum
Finish	Powder Coat Black
Operating Temperature Range	-4 °F – 140 °F
Ingress Protection (IP)	IP54
Battery Type	28 VDC Lithium Ion Rechargeable
Battery Life Ascent Standard Battery	3.5 min. continuous use 400lbs (500 ft. rope) 7.0 min. continuous use 200lbs (1000 ft. rope)
Battery Re-Charge Time	~ 2.5 hours
Rope Type	10-12 mm Aramid or Kernmantle Static Line Rope
Rope Loading	Manual Rope Load
Ascent Speed	Variable (0.5 – 1.7 ft./per second)
Descent Method	Gravity Feed with manual brake
Descent Speed	4.0 ft./sec. max @ 400 lbs
Climbing Method	Single Rope Technique
Secondary Safety	Secondary Lock Out Feature (Hands Free)
Max Working Load	400 lbs
Product Approvals	CE and ANSI tested approval 2018

Features

- Lightweight & portable
- Rugged and durable construction
- 400lbs continuous lifting capacity
- Thumb wheel trigger speed control
- Secondary Lock safety feature for hands free work
- Hot swappable battery pack for continuous duty all day long
- Integrates with existing climbing technology
- CE and ANSI certification submittal August 2017
- Can act as both a winch and an rope ascender

Applications

- Gear Hauling
- Route Setting
- Tree Work
- Film/Photography
- Construction
- Confined Space Extraction
- SPRAT/IRATA rope work support
- Rigging





IRONIN

